

Datasheet

DOOR AUTOMATION/ EN16005-KIT-U - DP Kit

Product description

Safety is essential to protect people from physical harm if they approach and use automated doors. CDVI offers a complete solution for safety compliance, including the new EN16005 standard which is now considered essential for automated door safety.

Including the Digiway Plus, this kit is the answer for residential disabled adaptation and care homes.




Key features

- Full door kit
- Single and double door versions available
- Safety sensors, fingerguard and signage included
- Universal arm for inward or outward opening included
- Compatible with CDVI transmitters

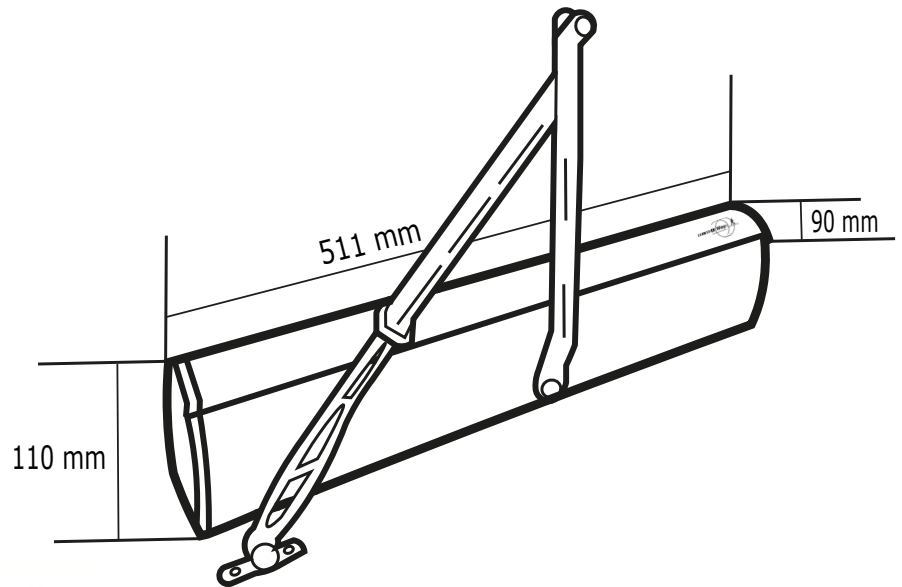
 *Certification*

 *DEEE*

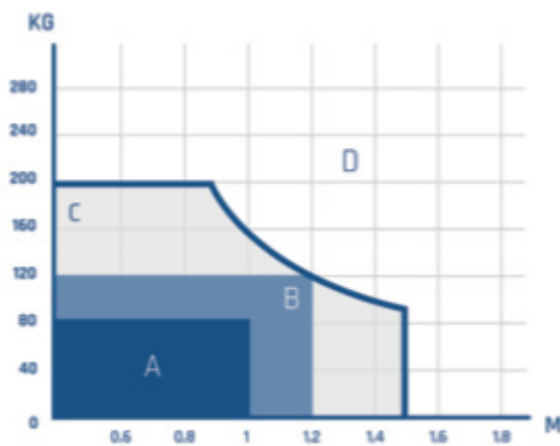
RoHS *Certification*

 *-10°C to 55°C*

All the information contained within this document (pictures, drawing, features, dimensions, specifications), could be perceptibly different and can be changed without prior notice. - April 2020 - CDVI_EN16005-KIT-U_DS_01_EN_A4_C



Usage



- Zone A:** Very intensive use (600 cycles/day)
- Zone B:** Intensive use (200-300 cycles/day)
- Zone C:** Use with reduced speed
- Zone D:** Do not use

Product information

Transmitter Memory: 50
Transmitter Encoding: Keeloq® Hopping Code

Electrical Specifications

Power supply: 230Vac, 50Hz
Power for auxiliary devices: 12Vdc / 500mA (max)
Power for electrolock: 12Vdc / 1A (max) or 24Vdc / 0.5A (max)
Max current: 100W

Single door kit

- 1 x DWPL102U
- 2 x DWSSS-5M1
- 1 x DWS-FGW or DWS-FGB
- 2 x DWS-KCSIGN
- 2 x DWS-ADSIGN

Double door kit

- 2 x DWPL102U
- 4 x DWSSS-5M1
- 2 x DWS-FGW or DWS-FGB
- 4 x DWS-KCSIGN
- 4 x DWS-ADSIGN
- 1 x DWSPCS